

## Brass Lever Ball Valve

### Features

Threaded BSP

Full Bore

Anti-Blow-Out Stem

Locking Lever & Tee Handle

options available

PTFE Seats & Seals

Temperature: -20°C to +150°C

1/4" - 2" -10°C to +110°C (2" - 4")

Temperature (Gas): -20°C to +60°C

Pressure: 40 Bar Rated 1/4" - 1"

32 Bar Rated 1" - 2"

16 Bar Rated 2" - 4"

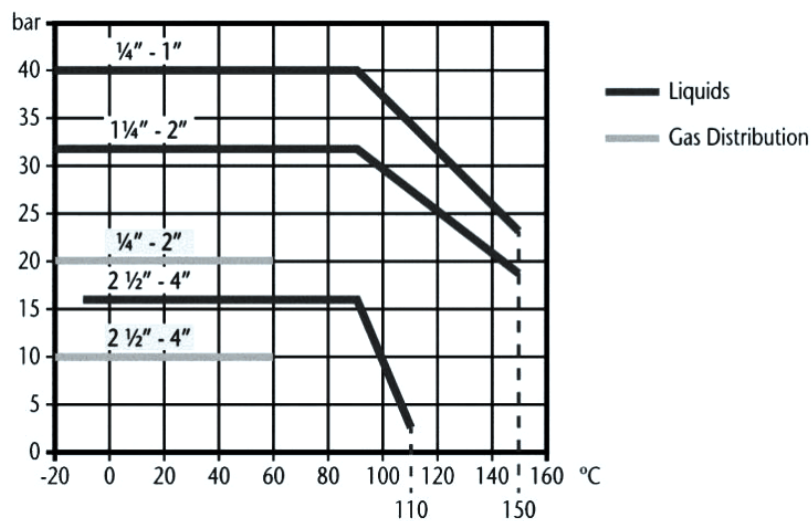
Pressure (Gas): 20 Bar Rated 1/4" - 2"

10 Bar Rated 2" - 4"

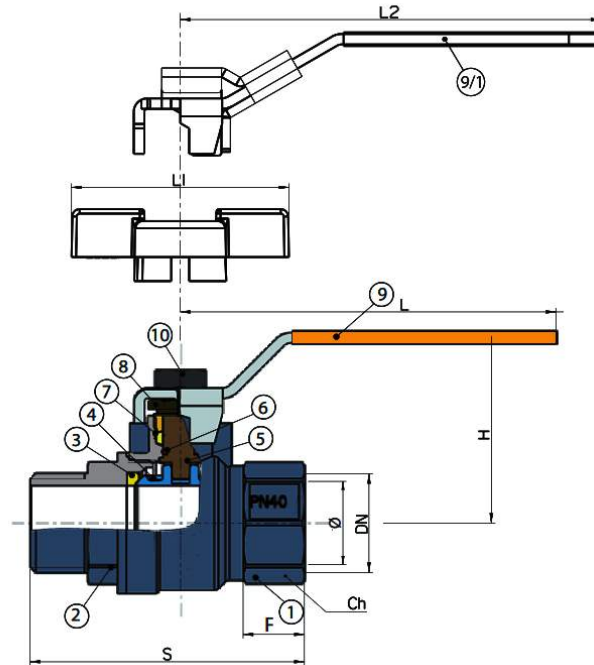
Available in sizes 1/4" to 4"



### Product Performance



## Brass Lever Ball Valve



### Material

N.	Part Name	Materials
1	Body	Brass/Nickel Plated
2	Body End	Brass/Nickel Plated
3	Seat	PTFE
4	Ball	Brass/Chrome Plated
5	Stem	Brass
6	'O' Rings	FP
7	Stem Seat	PTFE
8	Packing Nut	Brass
9	Lever	Steel/PVC-Plastic Coated
9/1	Lockable Lever	Steel/PVC-Plastic Coated
10	Nut	Steel/Zinc Plated

### Dimension

DN	"¼"	3/8"	"½"	"¾"	1"	1 "¼"	1 "½"	2"	2 "½"	3"	4"
Ø	10	10	15	20	25	32	40	50	61	74	95
F	10	10	15	16	19	21	21	26	20	24	27
S	45	45	63	71	83	92	104	124	130	150	178
H	41	41	54	58	66	71	80	88	120	127	135
L	80	80	90	90	125	125	140	140	240	240	250
L1	52	52	62	62	72						
L2	95	95	120	120	150	150	160	160			
Ch	21	21	26	31	38	48	55	68	84	96	123
Kgs	0.14	0.14	0.26	0.37	0.57	0.84	1.46	2.09	2.98	3.91	6.97