

# Ball Valve One Piece 3000 PSI



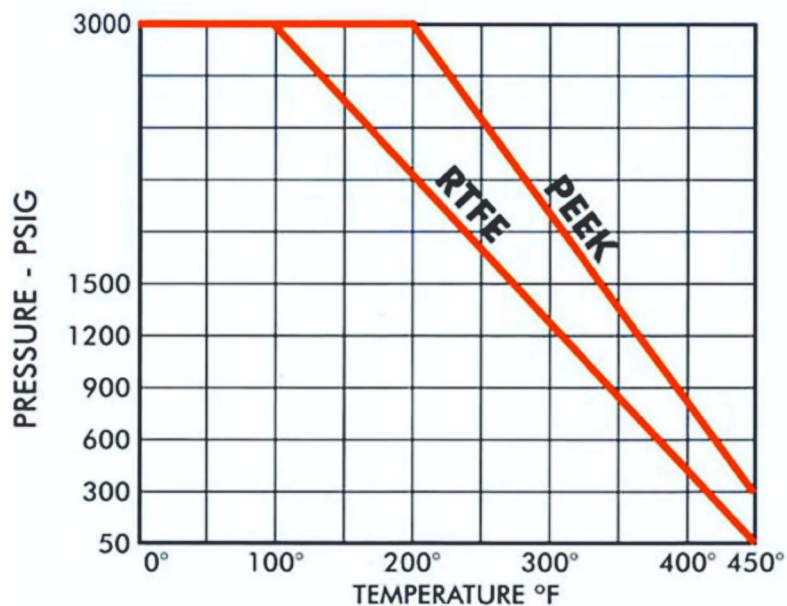
## General Specifications

- Reduced Port
- Working Pressure: 1/4" - 2" 3000 PSI
- 1 Piece Body
- Blow Out Proof Stem
- Threads Conform to ASME B1.20.1 (NPT)
- Locking Handle

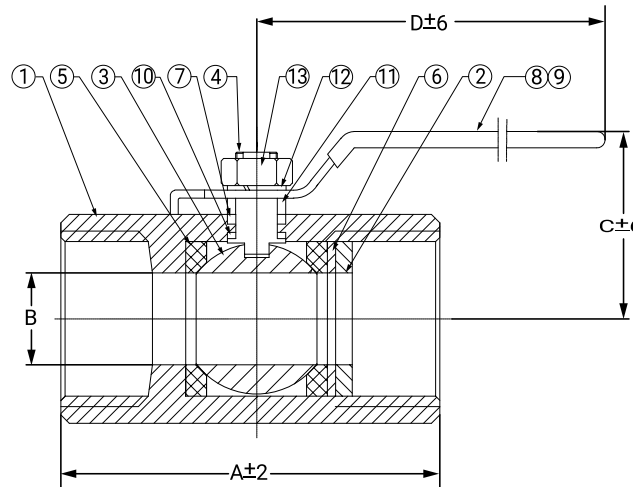


## Material Specifications

- |   |   |
|---|---|
| <p><b>1. Body</b><br/>ASTM A105</p> <p><b>2. Cap</b><br/>ASTM A105</p> <p><b>3. Ball</b><br/>SS304/SS316</p> <p><b>4. Stem</b><br/>SS304/SS316</p> <p><b>5. Body Seat</b><br/>RPTFE</p> <p><b>6. Cap Seat</b><br/>RPTFE</p> | <p><b>7. Packing</b><br/>PTFE</p> <p><b>8. Handle</b><br/>SS201</p> <p><b>9. Handle Sleeve</b><br/>PVC</p> <p><b>10. Thrust Washer</b><br/>PTFE</p> <p><b>11. Gland</b><br/>SS</p> <p><b>12. Washer</b><br/>SS</p> <p><b>13. Handle Nut</b><br/>A2-70</p> |
|---|---|



# Ball Valve One Piece 3000 PSI



Nominal Size	Pressure	Dimensions				Approx. Wt. Ea.
		A	B	C	D	
In./mm	PSI/bar	In./mm	In./mm	In./mm	In./mm	Lbs./kg
1/4	3000	1 <sup>11</sup> / <sub>16</sub>	1 <sup>3</sup> / <sub>64</sub>	1 <sup>3</sup> / <sub>32</sub>	2 <sup>7</sup> / <sub>8</sub>	0.22
8	207	43	5	28	73	0.10
3/8	3000	1 <sup>55</sup> / <sub>64</sub>	9/32	1 <sup>17</sup> / <sub>64</sub>	3 <sup>15</sup> / <sub>64</sub>	0.35
10	207	47	7	32	82	0.16
1/2	3000	2 <sup>7</sup> / <sub>16</sub>	1 <sup>1</sup> / <sub>32</sub>	1 <sup>55</sup> / <sub>64</sub>	4 <sup>39</sup> / <sub>64</sub>	0.66
15	207	62	9	47	117	0.30
3/4	3000	2 <sup>49</sup> / <sub>64</sub>	3 <sup>1</sup> / <sub>64</sub>	2 <sup>3</sup> / <sub>64</sub>	4 <sup>39</sup> / <sub>64</sub>	1.10
20	207	70	12.5	52	117	0.50
1	3000	3 <sup>25</sup> / <sub>64</sub>	1 <sup>9</sup> / <sub>32</sub>	2 <sup>9</sup> / <sub>16</sub>	5 <sup>1</sup> / <sub>8</sub>	2.20
25	207	86	15	65	130	1.00
1 1/4	3000	3 <sup>45</sup> / <sub>64</sub>	5 <sup>1</sup> / <sub>64</sub>	2 <sup>61</sup> / <sub>64</sub>	5 <sup>13</sup> / <sub>64</sub>	3.24
32	207	94	20	75	132	1.47
1 1/2	3000	4 <sup>1</sup> / <sub>64</sub>	6 <sup>3</sup> / <sub>64</sub>	3 <sup>5</sup> / <sub>64</sub>	6 <sup>3</sup> / <sub>16</sub>	3.97
40	207	102	25	78	157	1.80
2	3000	4 <sup>17</sup> / <sub>32</sub>	1 <sup>17</sup> / <sub>64</sub>	3 <sup>35</sup> / <sub>64</sub>	6 <sup>19</sup> / <sub>64</sub>	6.61
50	207	115	32	90	160	3.00

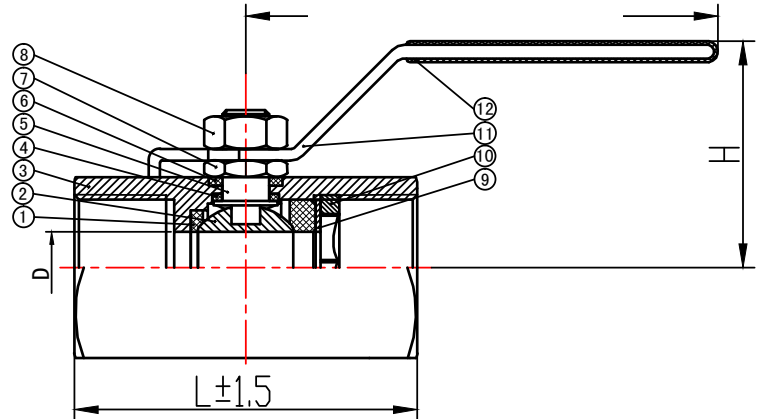
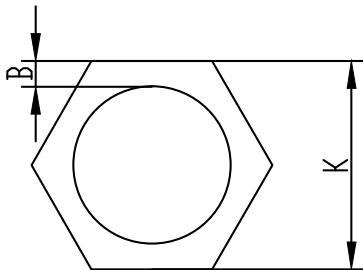
# Ball Valve One Piece 2000 PSI



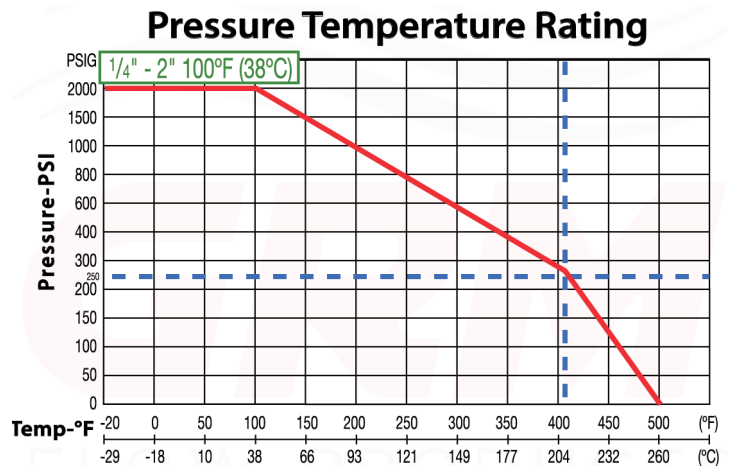
## Hex Bar Stock Ball Valve

### Features

- Design Standard: ASME B16.34
- Working Pressure: 2000 PSI
- Thread End Type: NPT / BSP / BSPT  
DIN 259 / DIN EN ISO 228
- Temperature Range: -20°C : 180°C
- Material: Carbon Steel WCB / A105
- Test & Inspection: API 598



	PARTS		QT'Y
1	Seat	PTFE	2
2	Ball	SS316	1
3	Body	WCB / A105	1
4	Thrust Washer	PTFE	1
5	Stem	SS316	1
6	Packing	PTFE	1
7	Nut	SS201	1
8	Nut	SS201	1
9	Washer	SS201	1
10	Cap	WCB	1
11	Handle	SS201	1
12	Handle Cover	PVC	1



SIZE	1/4"	3/8"	1/2"	3/4"	1"	1 1/4"	1 1/2"	2"	2 1/2"	3"	4"
DN	8	10	15	20	25	32	40	50	65	80	100
D	6	7	9	12	15	20	25	32	38	49	64
L ±1.5	42	47	63	70	86	90	102	115	120	140	185
H	27	29	45	52	63	67	73	81	112	123	141
T	69	69	118	118	142	157	166	190	241	244	255
B	4.7	5	5.6	6	8.1	8.5	8.2	9.3	10.8	12.7	13.8
K	21	25	30	36	46	56	61	75.5	89.5	110	137
WEIGHT (KG)	0.115	0.165	0.33	0.485	0.95	1.36	1.795	2.98	4.255	7.015	12.795

