

3 PC FULL BORE THREADED/SOCKET WELD END BALL VALVE

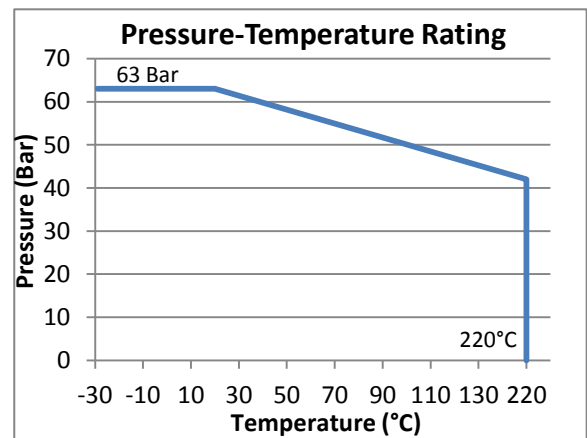
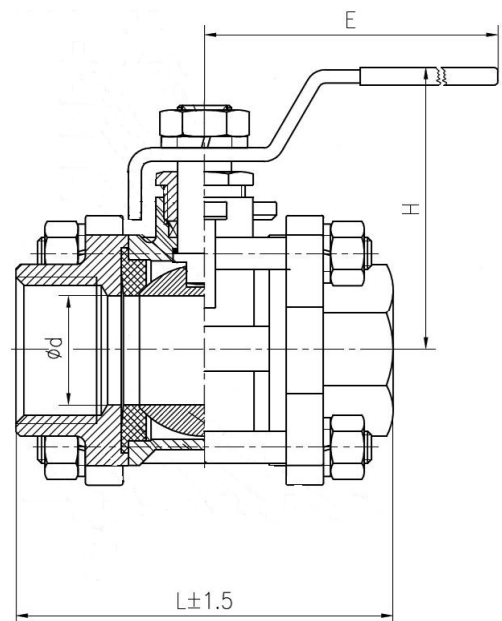
Feature:

- 3 PC Body Design
- Full Bore, Quarter turn operation
- Size: 1/4" – 4" (DN8-100)
- Working Pressure: 1000 PSI - 63 Bar
- Threaded End:
BSPP, NPT or Socket Welding End
- Applicable Medium: General oil, Gas & Water applications
- Blow-out Proof Stem Design
- Temperature Range: -29°C to 220°C



Material List:

No.	Part Name	Material
1	Body	WCB -A105 - CF8M
2	Cap	WCB -A105 - CF8M
3	Seat	PTFE
4	Ball	SS316
5	Seal Gasket	PTFE
6	Stem Seal	PTFE
7	Stem	SS316
8	Anti-Static Device	SS304
9	Stem Packing	PTFE
10	Packing Gland	SS304
11	Spring Washer	SS301
12	Handle	SS304
13	Stem Nut	SS304



Dimension List for NPT, BSPP, SW End Valve

NPS	Connection	Impa Code	Part No	d	L	H	E	PCD	Weight (kg)
1/4"	BSPP	-	VL-S-B3-G-1000-04	10	66	45	100	-	0.30
3/8"	BSPP	-	VL-S-B3-G-1000-06	12	66	45	100	-	0.30
1/2"	BSPP	-	VL-S-B3-G-1000-08	15	73	53	104	33	0.51
3/4"	BSPP	-	VL-S-B3-G-1000-12	20	79.5	58	118	39.5	0.73
1"	BSPP	-	VL-S-B3-G-1000-16	25	86.5	68	145	43.5	0.91
1 1/4"	BSPP	-	VL-S-B3-G-1000-20	32	108	81	162	55.5	1.56
1 1/2"	BSPP	-	VL-S-B3-G-1000-24	38	118	85	180	60	1.86
2"	BSPP	-	VL-S-B3-G-1000-32	50	144	92	180	75	2.98
2 1/2"	BSPP	-	VL-S-B3-G-1000-40	65	180	115	224	94	6.65
3"	BSPP	-	VL-S-B3-G-1000-48	80	209	130	242	100	10.07
4"	BSPP	-	VL-S-B3-G-1000-64	-	-	-	-	123	17.79
1/4"	NPT	-	VL-S-B3-N-1000-04	10	66	45	100	-	0.30
3/8"	NPT	-	VL-S-B3-N-1000-06	12	66	45	100	-	0.30
1/2"	NPT	-	VL-S-B3-N-1000-08	15	73	53	104	33	0.51
3/4"	NPT	-	VL-S-B3-N-1000-12	20	79.5	58	118	39.5	0.73
1"	NPT	-	VL-S-B1-N-1000-16	25	86.5	68	145	43.5	0.91
1 1/4"	NPT	-	VL-S-B3-N-1000-20	32	108	81	162	55.5	1.56
1 1/2"	NPT	-	VL-S-B3-N-1000-24	38	118	85	180	60	1.86
2"	NPT	-	VL-S-B3-N-1000-32	50	144	92	180	75	2.98
2 1/2"	NPT	-	VL-S-B3-N-1000-40	65	180	115	224	94	6.65
3"	NPT	-	VL-S-B3-N-1000-48	80	209	130	242	100	10.07
4"	NPT	-	VL-S-B3-N-1000-64	-	-	-	-	123	17.79
1/4"	SW	-	VL-S-B3-SW-1000-04	10	66	45	100	-	0.30
3/8"	SW	-	VL-S-B3-SW-1000-06	12	66	45	100	-	0.30
1/2"	SW	-	VL-S-B3-SW-1000-08	15	73	53	104	33	0.51
3/4"	SW	-	VL-S-B3-SW-1000-12	20	79.5	58	118	39.5	0.73
1"	SW	-	VL-S-B3-SW-1000-16	25	86.5	68	145	43.5	0.91
1 1/4"	SW	-	VL-S-B3-SW-1000-20	32	108	81	162	55.5	1.55
1 1/2"	SW	-	VL-S-B3-SW-1000-24	38	118	85	180	60	1.85
2"	SW	-	VL-S-B3-SW-1000-32	50	144	92	180	75	2.98
2 1/2"	SW	-	VL-S-B3-SW-1000-40	65	180	115	224	94	3.54
3"	SW	-	VL-S-B3-SW-1000-48	80	209	130	242	100	6.38
4"	SW	-	VL-S-B3-SW-1000-64	-	-	-	-	123	-