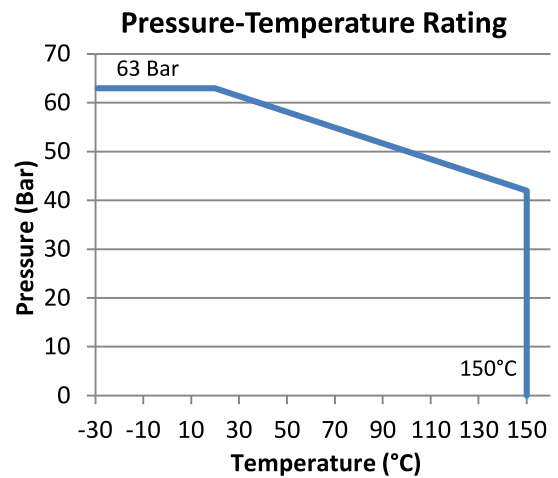
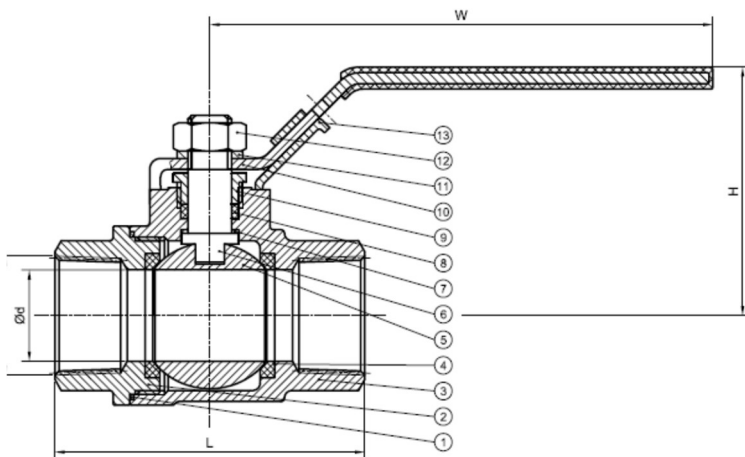


BALL VALVES

2 Piece Full bore 1000 / 2000 PSI , Threaded End Ball Valve

Features

- 2 PC Body Design
- Full Bore, Quarter Turn Operation
- Sizes: 1/4" – 4" (DN8 – DN100)
- Working Pressure: 1000 WOG / 2000 WOG
- Threaded End: BSPP, NPT
- Applicable Medium: General Oil, Gas & Water Applications
- Blow-out Proof Stem Design
- Temperature: -20 Deg C to 120 Deg C

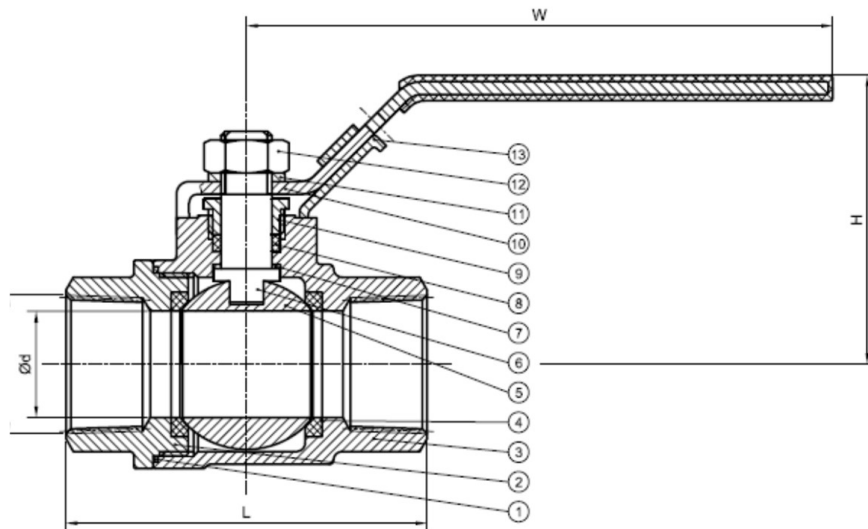


Material List

No.	Part Name	Material	No.	Part Name	Material
1	Gasket	PTFE	8	Stem Packing	PTFE
2	Body Connector	CF8M(SS316), WCB	9	Gland	AISI 304
3	Body	CF8M(SS316), WCB	10	Handle	AISI 304
4	Seat Ring	PTFE	11	Wrench Washer	AISI 304
5	Ball	SS316, SS304, WCB	12	Handle Nut	AISI 304
6	Stem	AISI 316	13	Locking Device	AISI 304
7	Thrust Washer	PTFE			

BALL VALVES

2 Piece Full bore 1000 / 2000 PSI , Threaded End Ball Valve

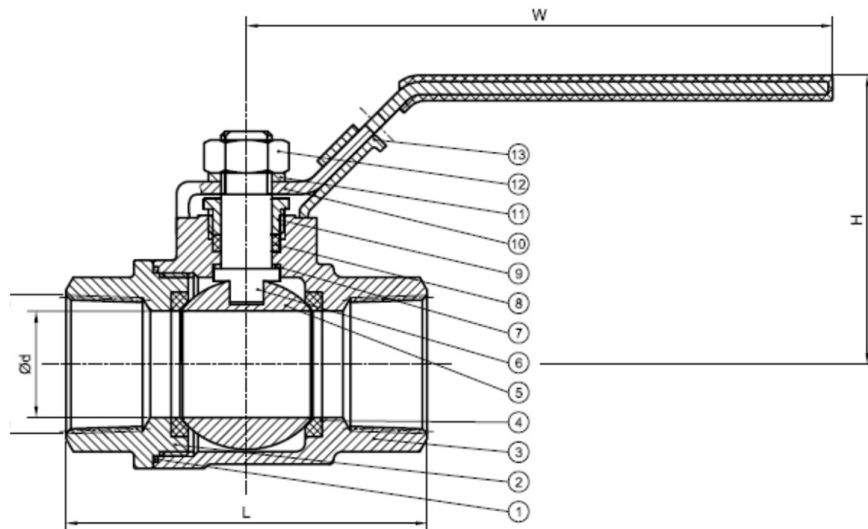


Dimension List (1000 WOG)

NPS	Connection	d	L	H	W	Weight (Kg)
1/4"	BSPP	10	53	45	100	0.21
3/8"	BSPP	12	53	45	100	0.25
1/2"	BSPP	15	62	49	104	0.30
3/4"	BSPP	20	70	55	118	0.51
1"	BSPP	25	81	67	145	0.75
1 1/4"	BSPP	32	95	70	145	1.48
1 1/2"	BSPP	38	105	80	177	1.72
2"	BSPP	50	117	92	177	3.08
2 1/2"	BSPP	65	163	113	224	4.85
3"	BSPP	80	190	127	242	7.53
4"	BSPP	96	227	180	280	13.5
1/4"	NPT	10	53	45	100	0.21
3/8"	NPT	12	53	45	100	0.25
1/2"	NPT	15	62	49	104	0.30
3/4"	NPT	20	70	55	118	0.51
1"	NPT	25	81	67	145	0.75
1 1/4"	NPT	32	95	70	145	1.48
1 1/2"	NPT	38	105	80	177	1.72
2"	NPT	50	117	92	177	3.08
2 1/2"	NPT	65	163	113	224	4.85
3"	NPT	80	190	127	242	7.53
4"	NPT	96	227	180	280	13.5

BALL VALVES

2 Piece Full bore 1000 / 2000 PSI , Threaded End Ball Valve



Dimension List (2000 WOG)

NPS	Connection	d	L	H	W	Weight (Kg)
1/4"	BSPP	10	55	42	95	0.21
3/8"	BSPP	10	55	42	95	0.25
1/2"	BSPP	15	62	51	108	0.30
3/4"	BSPP	20	72	58	115	0.51
1"	BSPP	25	84	77	135	0.75
1 1/4"	BSPP	32	97	83	150	1.48
1 1/2"	BSPP	38	104	97	175	1.72
2"	BSPP	49	120	106	190	3.08
2 1/2"	BSPP	63	150	122	220	4.85
3"	BSPP	80	164	140	250	7.53
1/4"	NPT	10	55	42	95	0.21
3/8"	NPT	10	55	42	95	0.25
1/2"	NPT	15	62	51	108	0.30
3/4"	NPT	20	72	58	115	0.51
1"	NPT	25	84	77	135	0.75
1 1/4"	NPT	32	97	83	150	1.48
1 1/2"	NPT	38	104	97	175	1.72
2"	NPT	49	120	106	190	3.08
2 1/2"	NPT	63	150	122	220	4.85
3"	NPT	80	164	140	250	7.53